



SINKS



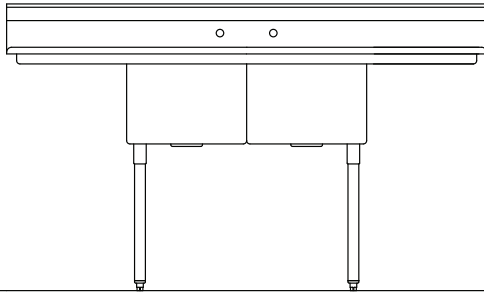
TWO COMPARTMENT TWO DRAINBOARD

Item #:

Qty #:

Model #:

Project #:



SINK FEATURES:

Fully fabricated bowl for the full metal thickness throughout the bowl and greater durability than a drawn sink

9" high backsplash, with 2" return to wall at 45 degrees with easy installation tile edging

2 1/2 high. 180 degree sanitary rolled rim at all free edges

Leg assemblies located directly under the sink bowls for greater load support

Legs are 1 5/8" diameter tubing with adjustable bullet feet

All corners are covered at 5/8" radius, welded and polished to form a one-piece sanitary unit

All sinks are furnished with basket drains and 1" faucet holes punched in backsplash on 8" centers as required

Sinks with drainboards 30" and longer have additional legs under each drainboard for added strength

SINK OPTIONS:

PARAMOUNT SERIES

- 14 Gauge type 304 stainless steel
- 12" bowl depth
- Stainless steel legs & crossrails
- NSF listed

STANDARD SERIES

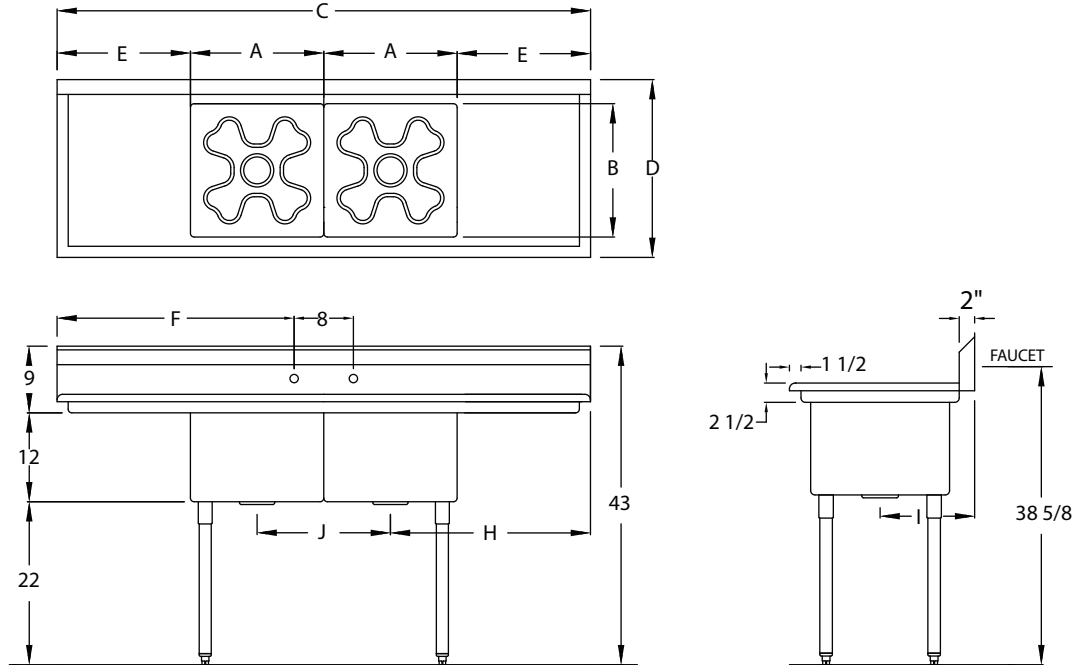
- 16 gauge type 304 stainless steel
- 12" bowl depth
- Galvanized legs (stainless steel available)
- NSF listed

ECONOMY SERIES

- 18 gauge 304 tubs
- 12" bowl depth
- Galvanized legs (stainless steel available)
- NSF listed

DIMENSIONS		PARAMOUNT		STANDARD		ECONOMY	
BOWL SIZE	D/B SIZE	MODEL NO.	WT.	MODEL NO.	WT.	MODEL NO.	WT.
18 X 18	18"	RJ-P-2-1818-18D	105	RJ-S-2-1818-18D	95	RJ-E-2-1818-18D	80
	24"	RJ-P-2-1818-24D	115	RJ-S-2-1818-24D	103	RJ-E-2-1818-24D	85
	30"	RJ-P-2-1818-30D	120	RJ-S-2-1818-30D	109	N/A	N/A
18 X 24	18"	RJ-P-2-1824-18D	130	RJ-S-2-1824-18D	110	RJ-E-2-1824-18D	93
	24"	RJ-P-2-1824-24D	140	RJ-S-2-1824-24D	120	RJ-E-2-1824-24D	96
	30"	RJ-P-2-1824-30D	145	RJ-S-2-1824-30D	126	N/A	N/A
20 X 20	20"	RJ-P-2-2020-20D	144	RJ-S-2-2020-20D	112	RJ-E-2-2020-20D	95
	24"	RJ-P-2-2020-24D	148	RJ-S-2-2020-24D	122	RJ-E-2-2020-24D	98
	30"	RJ-P-2-2020-30D	153	RJ-S-2-2020-30D	129	N/A	N/A
20 X 28	20"	RJ-P-2-2420-28D	155	RJ-S-2-2420-28D	135	N/A	N/A
	24"	RJ-P-2-2420-28D	160	RJ-S-2-2420-28D	142	N/A	N/A
	30"	RJ-P-2-2420-28D	165	RJ-S-2-2420-28D	149	N/A	N/A
24 X 24	24"	RJ-P-2-2424-24D	160	RJ-S-2-2424-24D	138	RJ-E-2-2424-24D	115
	30"	RJ-P-2-2424-30D	165	RJ-S-2-2424-30D	145	RJ-E-2-2424-30D	130
	36"	RJ-P-2-2424-36D	170	RJ-S-2-2424-36D	153	N/A	N/A
24 X 30	24"	RJ-P-2-2430-24D	201	RJ-S-2-2430-24D	180	N/A	N/A
	30"	RJ-P-2-2430-30D	206	RJ-S-2-2430-30D	186	N/A	N/A
	36"	RJ-P-2-2430-36D	211	RJ-S-2-2430-36D	197	N/A	N/A

DIMENSIONS & SPECIFICATIONS



DIMENSIONS ARE TYPICAL (TOL. +/- 1/2")

MODEL	A	B	C	D	E	F	G	H	I	J
RJ-2-1818-18D	18	18	72	24	18	32	N/A	27	12 1/4	18
RJ-2-1818-24D	18	18	84	24	24	38	N/A	33	12 1/4	18
RJ-2-1818-30D	18	18	96	24	30	44	N/A	39	12 1/4	18
RJ-2-1824-18D	18	24	72	30	18	32	N/A	27	15 1/4	18
RJ-2-1824-24D	18	24	84	30	24	38	N/A	33	15 1/4	18
RJ-2-1824-30D	18	24	96	30	30	44	N/A	39	15 1/4	18
RJ-2-2020-20D	20	20	80	26	20	36	N/A	30	13 1/4	20
RJ-2-2020-24D	20	20	88	26	24	40	N/A	34	13 1/4	20
RJ-2-2020-30D	20	20	100	26	30	46	N/A	40	13 1/4	20
RJ-2-2028-20D	20	28	80	34	20	36	N/A	30	17 1/4	20
RJ-2-2028-24D	20	28	88	34	24	40	N/A	34	17 1/4	20
RJ-2-2028-30D	20	28	100	34	30	46	N/A	40	17 1/4	20
RJ-2-2424-24D	24	24	96	30	24	44	N/A	36	15 1/4	24
RJ-2-2424-30D	24	24	108	30	30	50	N/A	42	15 1/4	24
RJ-2-2424-36D	24	24	120	30	36	56	N/A	48	15 1/4	24
RJ-2-2430-24D	24	30	96	36	24	44	N/A	36	18 1/4	24
RJ-2-2430-30D	24	30	108	36	30	50	N/A	42	18 1/4	24
RJ-2-2430-36D	24	30	120	36	36	56	N/A	48	18 1/4	24



RJ Fabricators reserves the right to progressively alter our product specifications to maintain our premium quality.